

Emergency Telephones



For public areas including college campuses, parking garages, sports arenas, business and industrial parks and more.



GAI-TRONICS®
A Hubbell Company

Emergency communications is a vital and growing concern in all public areas including college campuses, parking garages, sports arenas, amusement parks, business and industrial parks, and more. Since our emergency telephones are often installed in the harshest environments, durability and performance are extremely important. GAI-Tronics' EMERGENCY TELEPHONES are designed to enhance your communications system.



Our Products

GAI-Tronics manufactures a wide variety of emergency telephone products meeting virtually any application required with our 293 and 297 series emergency telephones, users simply press the large red button for immediate connection to the security office. The 298 and 294 series telephones include the large red button and a Braille keypad with a black call button for local calling or building access. GAI-Tronics ADA-compliant emergency telephones include a Braille "HELP" tag and a "Call Received" LED Indicator light. When the security officer answers the telephone and acknowledges the call, the LED will light. The LED light remains on until the call is disconnected.

Flexible Designs Offer Customers More Installation Choices.

GAI-Tronics 293 and 294 series telephones can be surface mounted or pole mounted (using part # 231-001 pole-mount kit)

The 297 and 298 series telephone design supports several mounting options, flush-mount into a wall or stanchion (using 234 series stanchion assemblies) or surface-mount (using 236 series surface mounted hoods).



Pole-Mount Kit 231-001



236 Series



234 Stanchion Assembly Series

The benefit GAI-Tronics® offers over any other telephone manufacturer is more features, more flexibility, and greater reliability.

Telephone Line Powered Handsfree Speaker Phones and Externally Powered LOUD Handsfree Speaker Phones

GAI-Tronics **telephone line powered handsfree speaker phones**, requiring no external power or battery back-up, are the integrator's choice when external power is not readily available. While telephone line powered handsfree speaker phones minimize the need for external power, they do require sufficient line current for optimum performance. Where external power is available, GAI-Tronics newest line of **externally powered LOUD handsfree speaker phones**

feature increased tolerance to background noise, higher audio, and require no battery back-up. Unlike most externally powered handsfree phones, GAI-Tronics telephones will maintain operation during a power outage. If a power outage occurs, GAI-Tronics externally powered LOUD handsfree speaker phones continue operation when supplied a minimum of 40mA of telephone line current.

GAI-Tronics emergency telephones significantly increase safety and reliability in all types of public areas. We have been manufacturing rugged industrial communications equipment for 60 years and consistently strive to meet and exceed customer requirements.

Emergency Telephone Features



294 Series



298 Series



297 Series



293 Series

- Remote programming
- Microphone and speaker located for optimal performance
- Large "Palm" activation button call for help
- Auto answer
- Silent Monitoring
- Auxiliary switch activates peripheral equipment
- ADA compliance features: Braille "Help" tag and "Call Received" LED Indicator
- Password Protected
- Conformal Coated Electronics
- Tamper resistant hardware
- NEMA 3R Weatherproof Rating
- Three number rollover - unit dials up to three different numbers to ensure emergency calls are answered
- Custom colors and silk-screening available

Telephone Management Application

The T.M.A. application is a Windows® XP/2000-based data collection and reporting package. The system supports up to eight modems simultaneously contacting and collecting health information from each S.M.A.R.T. telephone.

T.M.A. reduces the cost of maintenance while increasing the safety of the system by ensuring that phones are fully functional. T.M.A. allows the system manager to make remote programming changes to individual telephones, again saving time and money. These changes can be made without interfering with emergency communications and without disrupting the polling schedule. With a wide range of customer configured report options, including on-line and automated reporting, the system is configurable to meet any customer requirements.

GAI-Tronics Self-Monitoring and Reporting Technology (S.M.A.R.T.) emergency telephones and Telephone Management Application (T.M.A.) software working together offer customers a truly advanced and intelligent telephone monitoring system. GAI-Tronics' S.M.A.R.T.

emergency telephones are also offered in telephone line powered and externally powered operation.

GAI-Tronics' S.M.A.R.T. telephones and T.M.A. working together offer customers a truly advanced and intelligent telephone monitoring system. As an ISO9001 Certified Company, we maintain the highest quality standards and are proud that our equipment is manufactured in the U.S.A.



Telephone Management Application (T.M.A.)

S.M.A.R.T. Emergency Telephone Features

- Polls up to eight phones simultaneously
- Monitors for stuck buttons, line conditions (current levels) microprocessor self-test and call-in progress interrupted
- Provides inactive phone reports
- Provides call usage reports (including time, date, and length of call)
- Provides exception reports
- Provides maintenance call reports
- Provides visual indicators (GUI) for health status of each phone
- Provides call-in report lists with call-in records
- Provides secured access to T.M.A. via key attached to the PC's USB port
- Offers remote telephone configuration
- Automatically compensates for poor line quality
- Red LED light flashes upon activation - steady when audio is detected.

GAI-TRONICS® Self Monitoring and Report Technology

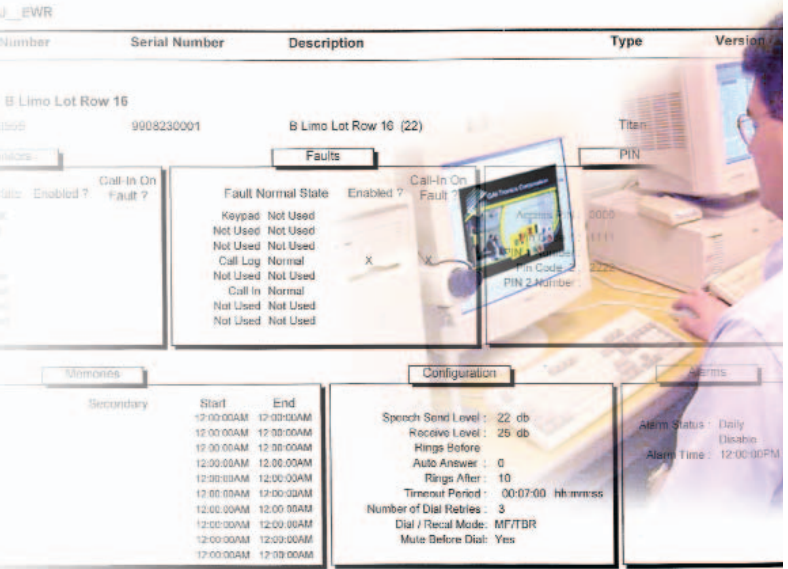


GAI-Tronics Self-Monitoring and Reporting Technology (S.M.A.R.T.) emergency telephones offer customers the ability to remotely monitor the health status of their communications system. In

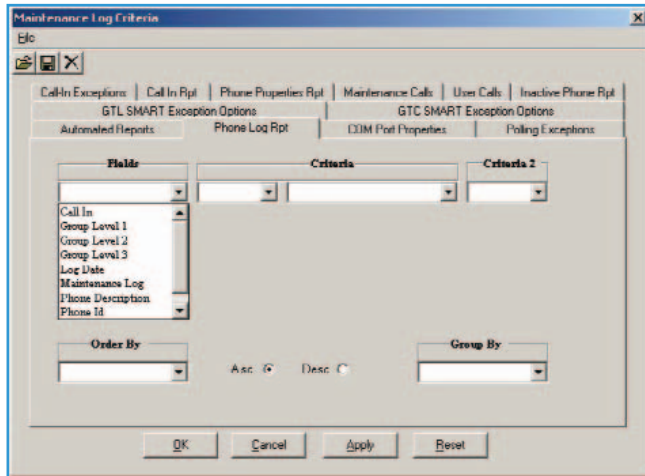
addition to providing standard emergency telephone operation, our S.M.A.R.T. emergency telephones incorporate leading-edge technology to provide optimum performance and flexibility.

Interfacing to a central computer equipped with GAI-Tronics Telephone Management Application (T.M.A.) monitoring software, the telephones perform advanced self-testing to ensure the health and functionality of the emergency communications system. Through self-testing the units detect and report faults so repairs can be made quickly; in addition, via the T.M.A. software, phones are polled on a regular basis for call reporting and other statistical information.

The S.M.A.R.T. telephones detect and report memory corruption; report line interruptions if some type of outage cuts off the telephone line or attempted removal of the unit, and reports damaged pushbuttons.

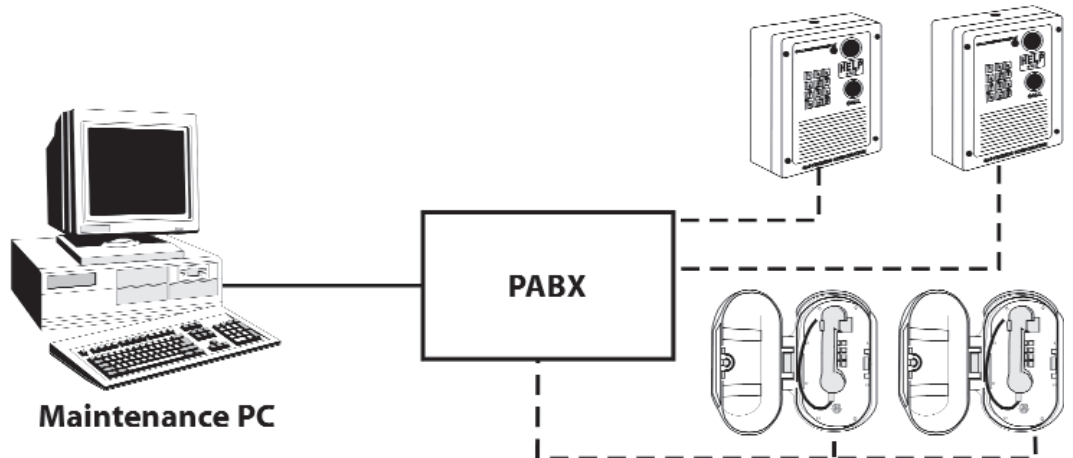


Above: Sample of Phone Property Report.



Left: T.M.A. Maintenance Criteria Log Set-up Screen.

Typical System Diagram



Emergency Telephone Specifications

Telephone Line Powered

Electrical

Minimum Loop Current	24 mA (35 mA recommended) Compensate low or less stable line current with Part # 40404-045 plug-in line power supply 5VDC 600mA REGULATED PLUG-IN PWR (sold separately)
Operation	Loop Start
Auto-dial digits	24 digits
Audio Output	Voice - 80 dB SPL @ 1 meter with 40mA of loop current 1 kHz tone - 76 dB SPL @ 1 meter with 40mA of loop current
Telephone Line	24 V dc or 48 V dc
Isolated solid state switch	48 V dc @ 125 mA 28 V _{RMS} @ 80 mA _{RMS}

Mechanical

Operating temperature range	-40°C to +60°C
Relative Humidity	To 95%, no condensation
PCBA (Printed Circuit Board Assembly)	Conformal Coated

Models 293-001 and 293-003

Enclosure	Valox (high impact, glass-reinforced polyester) molded in safety yellow
Dimensions	9.5 H x 8W x 4D inches; (241.3H x 203.2W x 101.6D mm)
Weight	4.0 lbs.; 1.8kg

Models 293AL-001, 294AL-001, 293AL-003 and 294AL-003

Enclosure	Cast aluminum painted safety yellow
(Models 294AL-001 and 294AL-003 only) Braille dial pad	Chrome-plated zinc
Dimensions	9.5H x 8W x 4D inches; (241.3H x 203.2W x 101.6D mm)
Weight:	
Models 293AL-001 and 293AL-003	7.8 lbs
Models 294AL-001 and 294AL-003	8.5 lbs

Models 297-001, 298-001, 297-003, 298-003, 297-003CB6, 298-003CB6, 297-003RT6 and 298-003RT6

Construction	
Panel	14-gauge, brushed stainless steel
Back box	16-gauge cold-rolled steel with black polyurethane finish
(Model 298-001, 298-003, 298-003CB6 and 298-003RT6 only) Braille dial pad	Chrome-plated zinc
Dimensions	
Panel	12.0H x 10.0W inches; (304.8 x 254mm)
Back box (depth from mounting surface)	2.38 inches; (60.5mm)
Panel Cutout	10.1H x 8.43W inches; (255.57 x 214.12mm)
Panel Dimensions - Overall CB Models	11.75H x 8.50W x 2.80D inches; (298.4 x 215.9 x 71.1mm)
Panel Dimensions - Overall RT Models	11.88H x 8.25W x 2.80D inches; (301.6 x 209.6 x 71.1mm)
Weight	
Models 297-001, 297-003, 297-003CB6, 297-003RT6, 298-003CB6 and 298-003RT6	6.5 lbs
Models 298-001 and 298-003	7.2 lbs

Externally Powered:

Electrical

Minimum Loop Current	24mA (with external power) 40mA (without external power)
Operation	Loop Start
Auto-dial digits	24 digits
Audio Output	Voice - 90 dB SPL @ 1 meter independent of loop current 1 kHz tone - 90 dB SPL @ 1 meter independent of loop current
Power Supply (included with phone)	12 V dc, 200 mA
Isolated solid state switch	48 V dc @ 125 mA 28 V _{RMS} @ 80 mA _{RMS}

Mechanical

Operating temperature range	-20°C to +60°C
Relative Humidity	To 95%, no condensation
PCBA (Printed Circuit Board Assembly)	Conformal Coated

Models 293-101AL, 294-101AL, 293-103AL and 294-103AL

Enclosure	Cast aluminum painted safety yellow
(Models 294-101AL and 294-103AL only) Braille dial pad	Chrome-plated zinc
Dimensions	9.5 H x 8W x 4D inches; (241.3H x 203.2W x 101.6D mm)
Weight	
Models 293-101AL and 293-103AL	7.8 lbs
Models 294-101AL and 294-103AL	8.5 lbs

Emergency Telephone Specifications

Externally Powered ...Specifications Continued

Models 297-101, 298-101, 297-103 and 298-103, 297-103CB6, 298-103CB6, 297-103RT6 and 298-103RT6

Construction	
Panel	14-gauge, brushed stainless steel
Back box	16-gauge cold-rolled steel with black polyurethane finish
(Models 298-101, 298-103, 298-103CB6 and 298-103RT6 only) Braille dial pad	Chrome-plated zinc
Dimensions	
Panel	12.0H x 10.0W inches; (304.8 x 254mm)
Back box (depth from mounting surface)	2.38 inches; (60.5mm)
Panel Cutout	10.1H x 8.43W inches; (255.57 x 214.12mm)
Panel Dimensions - Overall CB Models	11.75H x 8.50W x 2.80D inches; (298.4 x 215.9 x 71.1mm)
Panel Dimensions - Overall RT Models	11.88H x 8.25W x 2.80D inches; (301.6 x 209.6 x 71.1mm)
Weight	
Models 297-101, 297-103, 297-103CB6 and 297-103RT6	6.5 lbs
Models 298-101, 298-103, 298-103CB6 and 298-103RT6	7.2 lbs

Approvals for Line Powered and Externally Powered

Safety of information Technology Equipment	UL / CSA 60950
Enclosures for Electrical Equipment	UL 50, Type 3R

47 CFR Part 68

Certification Number	Externally Powered: US: ADGTE03B294AL103X Telephone Line Powered: US: ADGTE04B0414HAC
Ringer Equivalence Number	Externally Powered: AC-REN: 0.3B Telephone Line Powered: 0.4B
Network connection (USOC)	Externally Powered: RJ11C Telephone Line Powered: RJ11

IC Information (Canada)

IC Certification Number	Externally Powered: 882B-AUXSMART Telephone Line Powered: 882B-GTC S.M.A.R.T.
Ringer Equivalence Number	Externally Powered: 0.2A Telephone Line Powered: 0.4B
Connection Method	CA11A

Emergency Handsfree Speaker Phone Models

Telephone Line Powered Handsfree Speaker Phones

Surface-Mount Telephone, Valox, Auto-dial	293-001
Surface-Mount Telephone, Aluminum, Auto-dial	293AL-001
Surface-Mount Telephone, Aluminum, Keypad	294AL-001
Flush-Mount Telephone, Auto-dial	297-001
Flush-Mount Telephone, Keypad	298-001

Externally Powered Handsfree Speaker Phones

Surface-Mount Telephone, Valox, Auto-dial	293-101
Surface-Mount Telephone, Aluminum, Auto-dial	293-101AL
Surface-Mount Telephone, Aluminum, Keypad	294-101AL
Flush-Mount Telephone, Auto-dial	297-101
Flush-Mount Telephone, Keypad	298-101

S.M.A.R.T. Telephone Line Powered Handsfree Speaker Phones

Surface-Mount Telephone, Valox, Auto-dial	293-003
Surface-Mount Telephone, Aluminum, Auto-dial	293AL-003
Surface-Mount Telephone, Aluminum, Keypad	294AL-003
Flush-Mount Telephone, Auto-dial	297-003
Flush-Mount Telephone, Keypad	298-003
Retrofit Flush-Mount Telephone, Auto-dial	297-003RT6
Retrofit Flush-Mount Telephone, Keypad	298-003RT6
Retrofit Flush-Mount Telephone, Auto-dial	297-003CB6
Retrofit Flush-Mount Telephone, Keypad	298-003CB6

S.M.A.R.T. Externally Powered Handsfree Speaker Phones

Surface-Mount Telephone, Valox, Auto-dial	293-103
Surface-Mount Telephone, Aluminum, Auto-dial	293-103AL
Surface-Mount Telephone, Aluminum, Keypad	294-103AL
Flush-Mount Telephone, Auto-dial	297-103
Flush-Mount Telephone, Keypad	298-103
Retrofit Flush-Mount Telephone, Auto-dial	297-103CB6
Retrofit Flush-Mount Telephone, Keypad	298-103CB6
Retrofit Flush-Mount Telephone, Auto-dial	297-103RT6
Retrofit Flush-Mount Telephone, Keypad	298-103RT6

Telephone Management Application (T.M.A.)

Installation Kit: Part # 12509-024

- One Administrator security hardware key programmed and configured
- Compatible voice modem
- Programmed and label CDROM T.M.A. 6.3.5

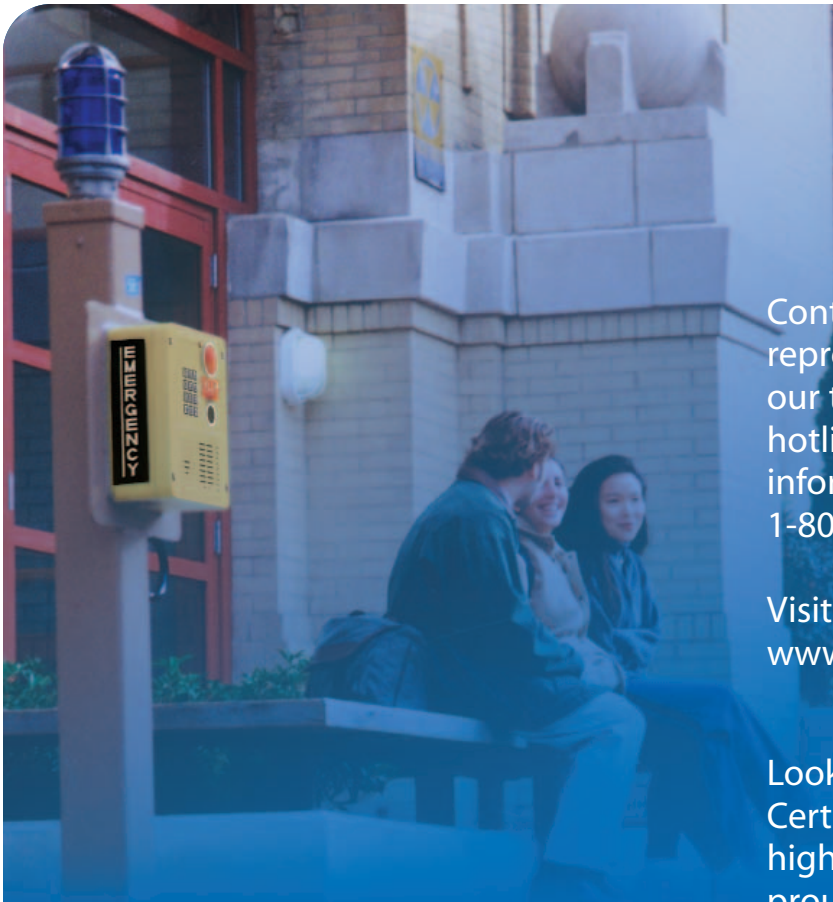


233-001 Tamper-Resistant Screwdriver

(sold separately) **is recommended for installation.**



GAI-Tronics® offers telephone panels designed to fit most non-GAI-Tronics® emergency phone columns. Ask about our smaller sized flush-mount telephones.



Contact your sales representative or call our toll-free sales hotline for further information at 1-800-492-1212.

Visit our Web site at www.gai-tronics.com

Look to GAI-Tronics®. As an ISO90001 Certified Company, we maintain the highest quality standards and are proud that our equipment is manufactured in the U.S.A.



GAI-TRONICS®
A Hubbell Company

Distributor Info:



GAI-Tronics® - USA Toll Free: 1 (800) 492-1212 Tel: (610) 777-1374 Fax: (610) 796-5954 www.gai-tronics.com

GAI-Tronics® Limited, UK Tel: +44 (0)1283 500500 Fax: +44 (0)1283 500400 www.gai-tronics.co.uk
GAI-Tronics® S.r.l, Italy Tel: +39 02 48601 460 Fax: +39 02 4585 625 www.gai-tronics.it
GAI-Tronics® - Malaysia Tel: +60-3-8945-4035 / 8945-7348 Fax: +60-3-8945-4675
Quality Management Systems Certified - ISO9001:2000

Pub. 060603 Rev 9-2006

The policy of GAI-Tronics® is one of continuous improvement, therefore the company reserves the right to change specifications without notice.